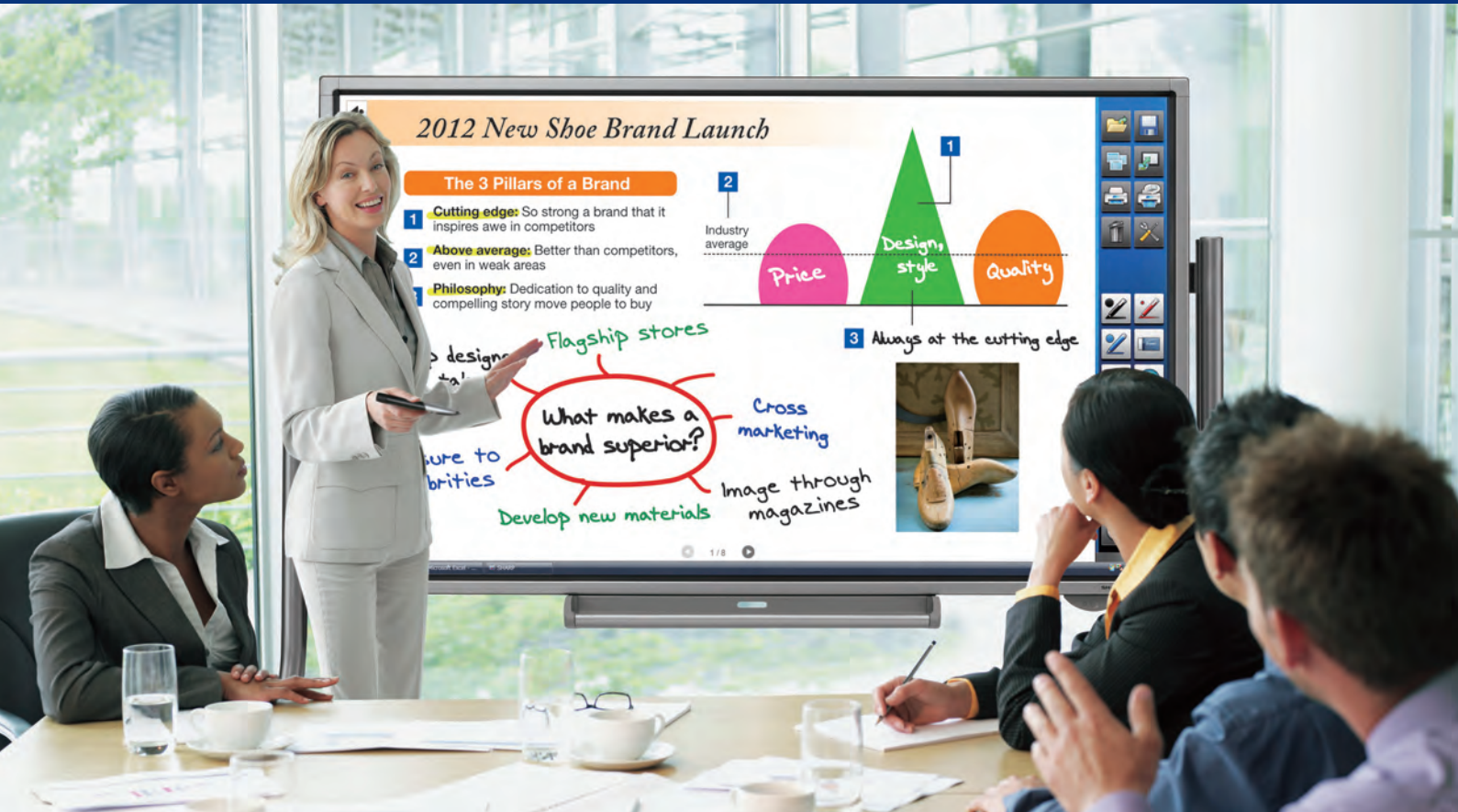
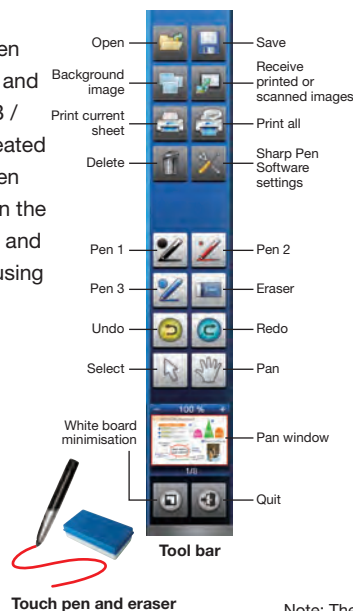


## Make a Sizeable Difference in How You Communicate using a Sharp Touchscreen LCD Monitor



### Simple and Intuitive User Interface

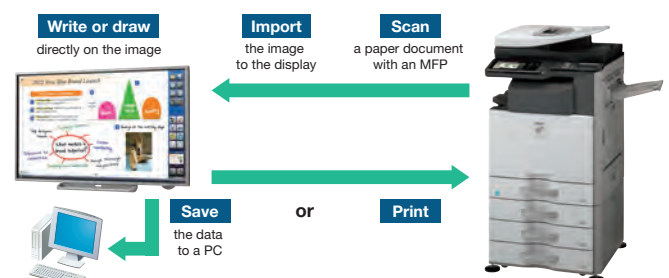
Developed specifically for Sharp touchscreen LCD monitors, Sharp Pen Software allows anyone to smoothly and easily operate the 70-inch PN-L702B / 60-inch L602B. Once documents created on any application software have been imported as images and displayed on the touchscreen, users can quickly write and draw directly on the screen surface using the touch pen or a finger. Screen images can be enlarged or rotated, and handwritten notations such as text and drawings can be selected and moved around. What's more, everything on the screen can be saved or exported for printout, making it easy to keep accurate records of brainstorming sessions and meetings.



### MFP\* Connectivity for Fast and Easy Operation

Connecting the PN-L702B/L602B to a Sharp MFP with colour-scanning function makes for faster, smoother communication. Documents and images scanned from the MFP can be imported directly to the pen software for display on the PN-L702B/L602B. For added convenience, image data shown on the PN-L702B/L602B—including notations—can be saved to a PC or sent directly to an MFP for printout.

\* Multifunction printer



Note: The stand in the above photo is a conceptual image; actual product appearance may differ.

## Enhanced Touchscreen Response & Dual-Touch Interface

The PN-L702B/L602B's integration of a high-quality LCD panel and a highly sensitive touchscreen makes for easy communication. For heightened touchscreen responsiveness and stress-free onscreen writing, the PN-L702B/L602B employs Sharp's proprietary **infrared detection system** featuring multiple infrared sensors that locate the position of the user's finger or the touch pen with impressive speed and accuracy. The PN-L702B/L602B also supports **dual-touch\*** function, which lets the user scroll a page with two fingers and enlarge then shrink an image by simply spreading two fingers apart and then bringing them together.

\* When used with computers running Windows® 7

## Convenient Versatility

A versatile multi-tasker, the PN-L702B/L602B can be used as a touch-control presentation tool, as interactive digital signage, and as part of a video conferencing system that enables smooth real-time exchanges between remote locations. With its large screen and high image quality, the PN-L702B/L602B puts business and classroom communications on high-impact, interactive display and gives video conference participants a true, shared sense of "being there"—regardless of actual distance apart.

## Outstanding Image Quality

For the display of bright whites, vivid colours, and deep blacks, the PN-L702B/L602B's 70/60-inch LCD panel incorporates Sharp's **UV<sup>2</sup>A** technology, which ensures highly efficient backlighting and prevents light leakage. The PN-L702B's full-array LED backlight and the PN-L602B's edge-lit LED backlight provide easy readability and reliable performance—all with low power consumption.

\* UV<sup>2</sup>A stands for "Ultraviolet-induced Multi-domain Vertical Alignment," a photo-alignment technology that ensures uniform alignment of liquid crystal molecules in a certain direction.

## User-Friendly Design

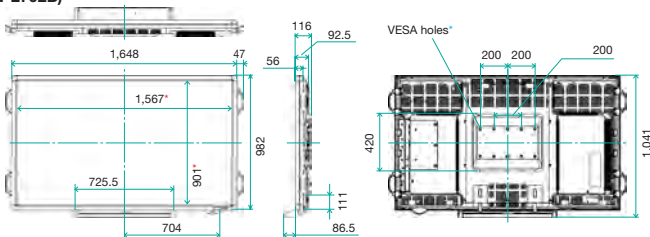
The PN-L702B/L602B was designed with user friendliness in mind. For easy access, the power ON/OFF button is located on the lower front of the monitor, and the input/output terminals are vertically aligned on one side of the monitor.

## Specifications

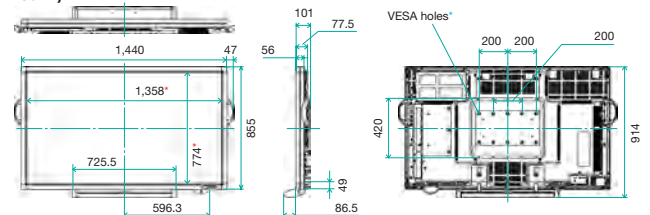
Model Name	PN-L702B	PN-L602B	PN-L702B	PN-L602B
Installation	Landscape		VESA DDC2B	
LCD Panel	70-inch widescreen (176.6 cm diagonal) UV <sup>2</sup> A LCD		60-inch widescreen (152.5 cm diagonal) UV <sup>2</sup> A LCD	
	Max. Resolution	1,920 x 1,080 pixels		
	Max. Display Colours (approx.)	1,064 million colours		
	Pixel Pitch (H x V)	0.802 x 0.802 mm	0.692 x 0.692 mm	
	Max. Brightness (average)*1	300 cd/m <sup>2</sup>		
	Contrast Ratio	3,000 : 1		
	Viewing Angle (H/V)	160°/160° (CR ≥ 10)		
	Active Screen Area (W x H) (approx.)	1,538.9 x 865.6 mm	1,329.1 x 747.6 mm	
	Response Time	6 ms (gray to gray, avg.)		
	Backlight	White LED, full array	White LED, edge lit	
Touchscreen	Touch Technology	Infrared blocking detection method		
	PC Connection Port	USB (1.1 standard)		
	Power Supply	PC through USB port		
	Driver	OS: Windows® XP, Windows Vista®, Windows® 7		
	Protection Glass Thickness*2	Approx. 3.4 mm	Approx. 3.0 mm	
Touch Pen	Communication	Ultrasonic communication method		
	Button	2 function buttons		
Computer Input	Video	Analogue RGB (0.7 Vp-p) [75Ω], Digital (conforms to DVI 1.0 standards)		
	Synchronisation	Horizontal/vertical separation (TTL: positive/negative), Sync on green, Composite sync (TTL: positive/negative)		
Computer Input	Plug & Play	VESA DDC2B		
	Power Management	VESA DPMS, DVI DMPM		
Video Colour System	With Optional PN-ZB01	NTSC (3.58 MHz, 4.43 MHz), PAL, PAL60, SECAM		
Input Terminals*3	Standard	PC analogue: Mini D-sub 15-pin x 1, HDMI x 1*4, 3.5 mm-diameter mini stereo jack x 1, RS-232C D-sub 9-pin x 1		
	With Optional PN-ZB01	PC digital: DVI-D 24-pin x 1, PC analogue: BNC x 1*5*6, Video: BNC x 1, S-Video x 1, Component video: BNC (Y, Cb/Pb, Cr/Pr) x 1*5, Audio: RCA pin (L/R) x 2		
Output Terminals	Standard	Audio: RCA pin (L/R) x 1, RS-232C D-sub 9-pin x 1		
	With Optional PN-ZB01	PC digital: DVI-D 24-pin x 1, External speakers: 7 W + 7 W (60)		
Input/Output Terminals	With Optional PN-ZB01	LAN port		
Power Supply	100V – 240V AC, 50/60 Hz			
Power Consumption	240 W		170 W	
Environmental Conditions	Operating Temperature	5°C to 35°C		
	Operating Humidity	20% to 80% RH		
Dimensions (W x D x H) (approx.) (display only)	1,648 x 116 x 982 mm		1,440 x 101 x 855 mm	
Weight (not including PN-ZB01) (approx.)	70 kg		54 kg	
Main Accessories	Touch pen, touch pen battery (AAA size), pen tips (for touch pen) x 2, eraser, pen tray, power cord, remote control unit, batteries (AA size x 2), CD-ROM, set-up manual, terminal label, Sharp logo cover sticker, cable clamp x 2 (3 for PN-L602B), USB cable, tray mounting fittings x 2, tray mounting screws x 6			
Options	PN-ZS701 (stand for PN-L702B), PN-ZS609 (stand for PN-L602B), PN-ZB01 (Interface Expansion Board)			

## Dimensions

(PN-L702B)



(PN-L602B)



Units: mm

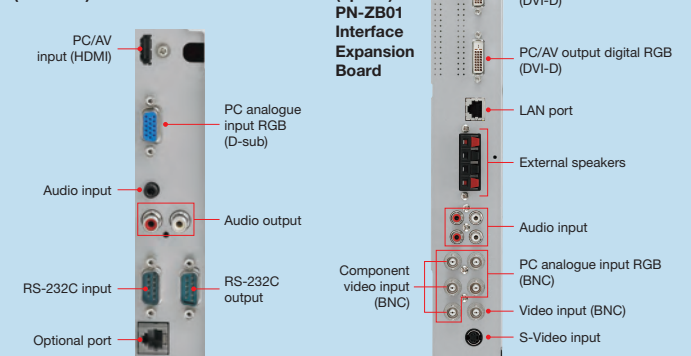
\* Screen dimensions \* To use the VESA-standard mounting bracket, use M6 screws that are 8 to 10 mm plus the thickness of the bracket.

\*1 Brightness will depend on input mode and other picture settings. Brightness level will decrease over time. Due to the nature of the equipment, it is not possible to precisely maintain a constant level of brightness. \*2 Including AR coating on both sides. \*3 Use a commercially available connection cable for PC and other video connections. \*4 For both PC and AV components. \*5 The analogue and component BNC terminals are switchable. Use the menu to select. \*6 Does not support plug & play.

DESIGN AND SPECIFICATIONS ARE SUBJECT TO CHANGE WITHOUT PRIOR NOTICE.

## Input/Output Terminals

(standard)



# SHARP

Distributed by:

Sharp Corporation of Australia Pty Ltd  
 ABN 40 003 039 405  
 1 Huntingwood Drive  
 Huntingwood NSW 2148  
 ph: 02-9830-4600  
<http://www.sharp.net.au>

Sharp Corporation of New Zealand Ltd  
 59 Hugo Johnston Drive  
 Auckland  
 ph: 0-9-573 0111  
<http://www.sharp.net.nz>